

LP870H 42F"/47F"/55F"

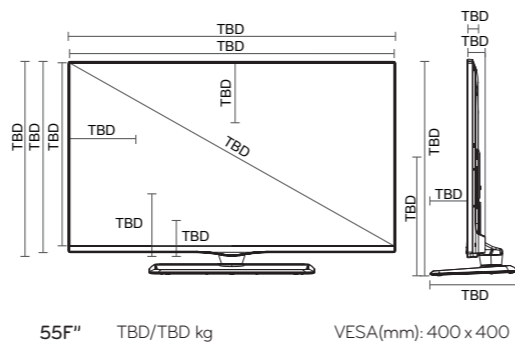
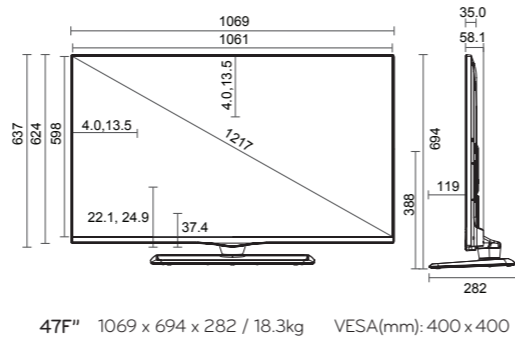
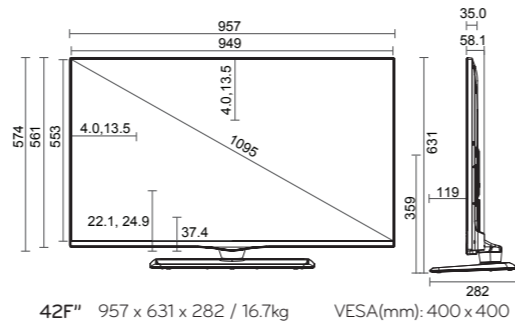


SPECIFICATIONS

* The specifications and features are subject to change without prior notice.

FEATURES	Size	42F" / 47F" / 55F"
DISPLAY	Type	Edge LED
	Resolution	1920 x 1080(FHD)
SYSTEM	DTV	ATSC
AUDIO	Audio Output	10W + 10W
SOLUTION	Pro-Centric	P(Smart)
	- Hybrid Streaming (IP & RF)	•
	- RF (1/2 Tuner)	•(2 Tuner)
	- Preloaded APP:	•
	- Web Browser	•
	- HCAP (GEM/FLASH/HTML)	GEM/FLASH/HTML
	- EzManager	•(Ver. 2.1)
	- Remote Diagnosis	•(IP)
	Smart Share	•
	- DLNA (Movie/Photo/Music)	•(DMR)
	- WiDi	•
	- WiFi Direct	•
	- Smart Mirroring	•
	- Quick Connecting QR	•
	HTNG CEC	•(1.3)
Pro-Idiom	•	
Instant On	•	
b-LAN	•	
WiFi	•(Built-in type)	
HOTEL FEATURE	Welcome Screen	•
	One Channel Map	•(LCM)
	Multi IR Code	•
	Hotel Mode	•
	USB Cloning	•
	IR Out	•(MPI Jack)
	External Power (RS-232C)	•(RS-232C, 12V/1.0A)
	External Speaker Out	•(Variable/Fixed/Line Out)
	RJP Interface	•(RJ45, HDMI)
	PIP	•(except HDMI-HDMI, AV-AV)
	Swivel	180°
	- Kensington Lock	•(Stand)
	Anti-theft System	•
	- Credenza/Security Screw Hole	•
	- Lock Down Plate	•
- Commercial Grade Stand	•	
- Smart Energy Saving	•	
Eco	- RoHS	•
- Energy Star	•	
	Energy Star 6.0	•
INTERFACE	RF In	•
	AV In	•
	Component In	-
	RGB In	•
	HDMI In	•(Rear:3)
	USB (2.0)	2
	Digital Audio Out (Coaxial / Optical)	1 (Optical)
	PC Audio Input	1
	LAN Port	2
	RJ45 (RJP interface)	1
	External Speaker Out (Phone Jack)	1
	TV link Configuration (Phone Jack)	1
	MPI Jack	1
	RS-232C	•(SVC, Power outlet 12V)
	Voltage, Hz	110 ~ 240V, 50/60Hz
POWER	Typical (Watts)	TBD
Stand-by	0.5W↓	
DIMENSION	SET (with stand, WxHxD, mm)	42F": 957 x 631 x 282 47F": 1069 x 694 x 282 55F": TBD
	Weight (with stand, kg)	42F": 16.7 47F": 18.3 55F": TBD

DIMENSION

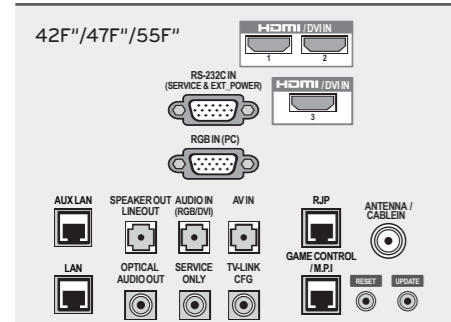


The Slimmest Premium *Hotel TV*

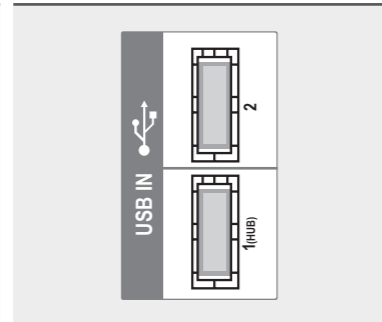
LP870H



REAR JACK PANEL



SIDE JACK PANEL



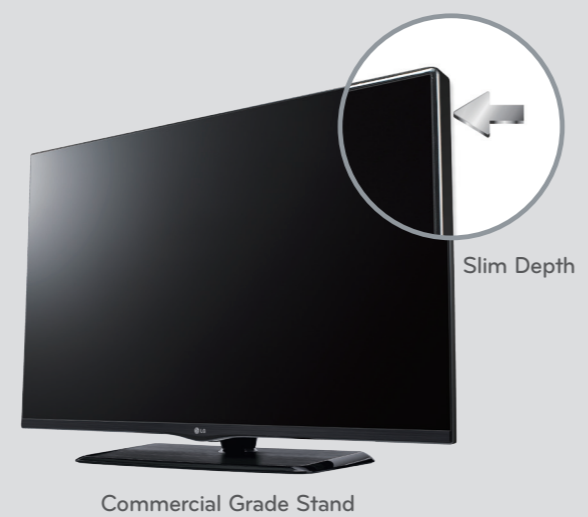
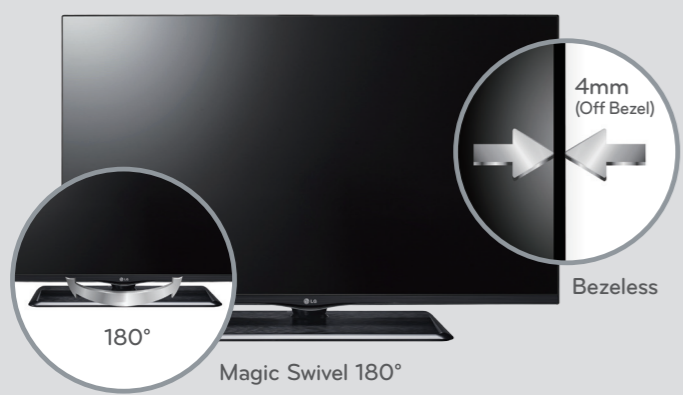
www.lgehoteltv.com

Pro:Centric[®] SMART The Smartest Interactive *Hotel TV*

- SLIM
- SMART
- CUSTOMIZABLE
- CONNECTED
- COST-SAVING



Premium Slim Design CINEA SCREEN



Smart Customization

LG Pro:Centric[®] Smart offers extended customizable tools; HTML5, Java and Flash so our partner can optimize Hotel TVs to develop their own enhanced service design. Besides own designed essential TV service, guests can be served with bandwidth-worry-free pre-loaded applications without privacy concern thanks to LG's advanced history auto deletion S/W.



Extended Connectivity

Commercialized connectivity is ever revolutionized with Smart TV functions such as Miracast, WiDi and Smart Share which enables guests to play and view content from their digital devices on their in-room TVs. Let your guests surf the internet just like at home with LG's easy-to-use Motion Remote controller and web-browser function.



Cost Savings

Save big on the expenses of managing the Hotel TVs with LG's unique STB integrated solution and IP over Coax. Real-time remote diagnosis report helps you to detect error in advance to prevent TVs from being fallen apart.



LP870H